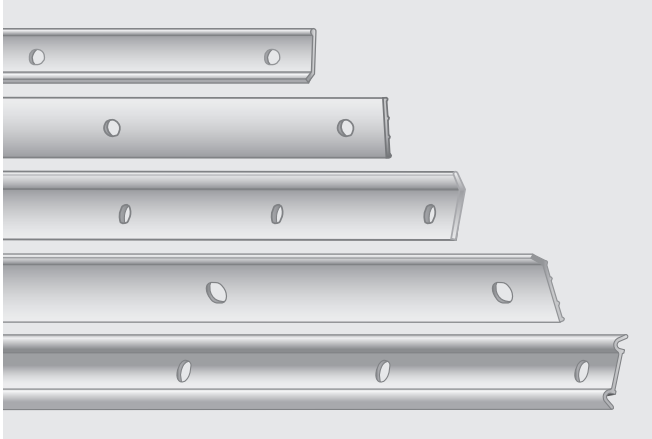


Termination Bars TB, TB-AP, TB-SL, TB-RSL, TB-R, TB-LB



Application

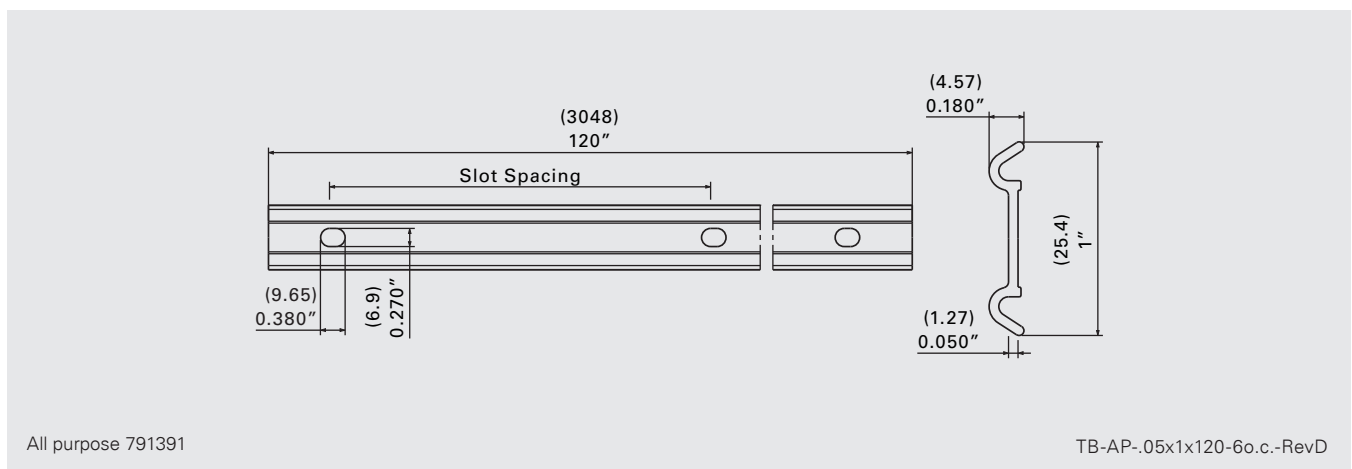
Wall termination application

Features and Benefits

- Manufactured from specialty extruded aluminum without sharp edges
- Reinforced strengthening ribs allow for use in high wind applications

Product Selection

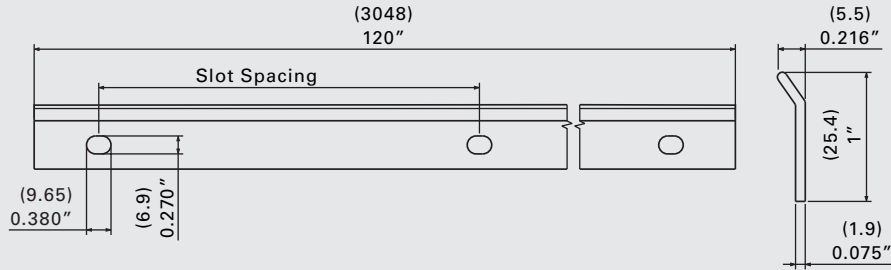
Material No.	Product Type	Hole Spacing	Description	Carton Wt. (lbs.)	Carton Qty.
791391	0.050" All Purpose	6"	TB-AP-0.05x1x120-6o.c.-TUBE	45	500 feet (50-10 ft pcs)
791394	0.075" Single Lip	6"	TB-SL-0.075x1x120-6o.c.-TUBE	51	500 feet (50-10 ft pcs)
791395	0.075" Ribbed Single Lip	6"	TB-RSL-0.075x1x120-6o.c.-TUBE	51	500 feet (50-10 ft pcs)
791404	0.100" Ribbed Flat	6"	TB-R-0.1x1x120-6o.c.-TUBE	78	500 feet (50-10 ft pcs)
791411	0.090" Lip and Ball	6"	TB-LB-0.09-TUBE	86	500 feet (50-10 ft pcs)



Dimensions: 0.050" thick x 1" wide
 1.27 mm thick x 25.4 mm wide
 Length: 10 ft. (3.05 m)

Fastener Holes: 0.270" x 0.380" (6.9 mm x 9.65 mm)
 Slot Spacing: 6" o.c. (152.4 mm o.c.)
 Material: 6063-T6 Extruded Aluminum

Termination Bars TB, TB-AP, TB-SL, TB-RSL, TB-R, TB-LB

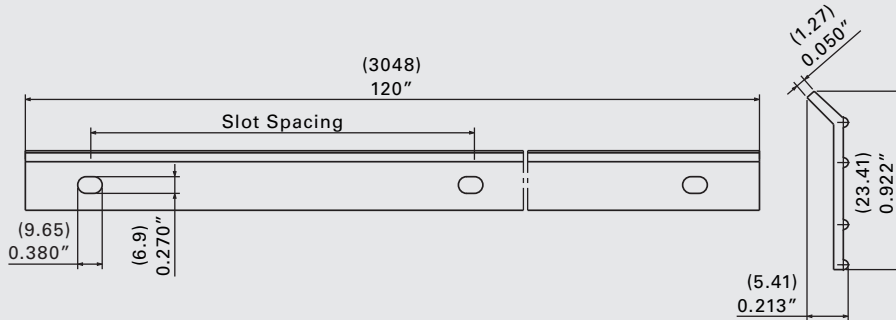


Single lip 791394

TB-SL-.075x1x120-6o.c.-RevC

Dimensions: 0.075" thick x 0.216" lip x 1" wide
 1.9 mm thick x 5.5 mm lip x 25.4 mm wide
 Length: 10 ft. (3.05 m)

Fastener Holes: 0.270" x 0.380" (6.9 mm x 9.65 mm)
 Slot Spacing: 6" o.c. (152.4 mm o.c.)
 Material: 6063-T6 Extruded Aluminum



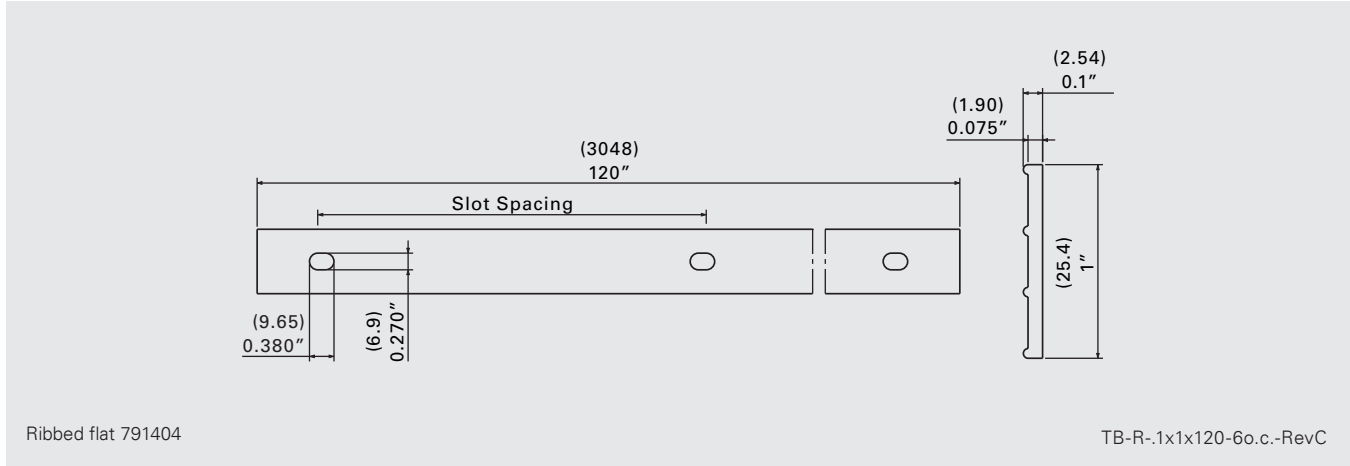
Ribbed single lip 791395

TB-RSL-.075x1x120-6o.c.-RevB

Dimensions: 0.050" thick x 0.213" lip x 0.922" wide
 1.27 mm thick x 5.41 mm lip x 23.41 mm wide
 Length: 10 ft. (3.05 m)

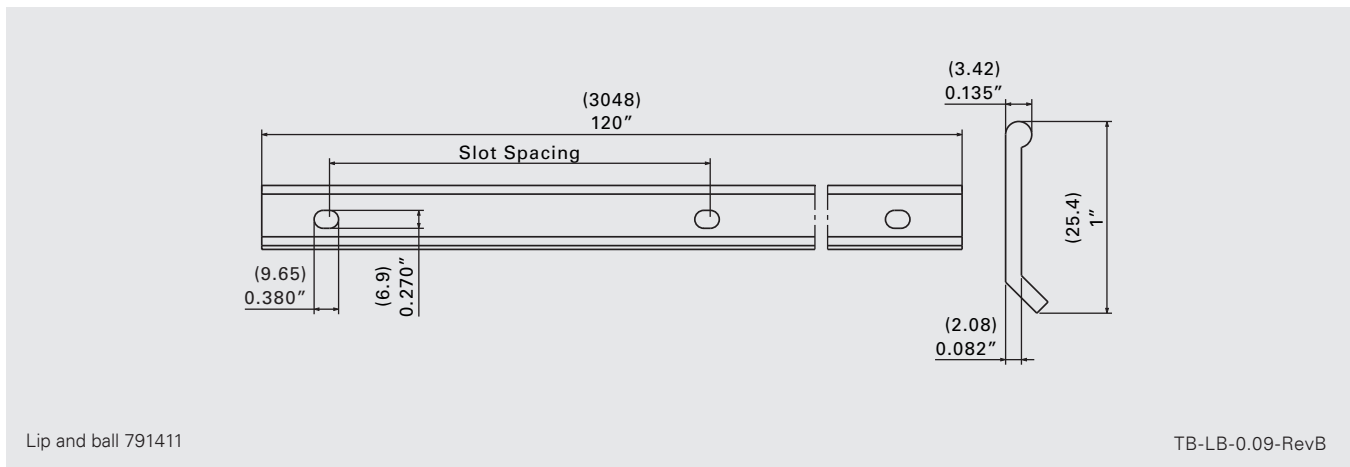
Fastener Holes: 0.270" x 0.380" (6.9 mm x 9.65 mm)
 Slot Spacing: 6" o.c. (152.4 mm o.c.)
 Material: 6063-T6 Extruded Aluminum

Termination Bars TB, TB-AP, TB-SL, TB-RSL, TB-R, TB-LB



Dimensions: 0.075" thick x 0.1" ribs x 1" wide
 1.90 mm thick x 2.54 mm ribs x 25.4 mm wide
 Length: 10 ft. (3.05 m)

Fastener Holes: 0.270" x 0.380" (6.9 mm x 9.65 mm)
 Slot Spacing: 6" o.c. (152.4 mm o.c.)
 Material: 6063-T6 Extruded Aluminum



Dimensions: 0.082" thick x 1" wide
 2.08 mm thick x 25.4 mm wide
 Length: 10 ft. (3.05 m)

Fastener Holes: 0.270" x 0.380" (6.9 mm x 9.65 mm)
 Fastener Slot Spacing: 6" o.c. (152.4 mm o.c.)
 Material: 6063-T6 Extruded Aluminum

Installation and Application Considerations

Use with:

- ZAC® anchors
- Zinc nailins
- #14 Dekfast
- #15 Dekfast

Coating and Corrosion

15/15 Kesternich per FM 4470