



2-3/8" Round Barbed Stress Plate

DEKFAST™ PLT-R-2-3/8-6B



Application

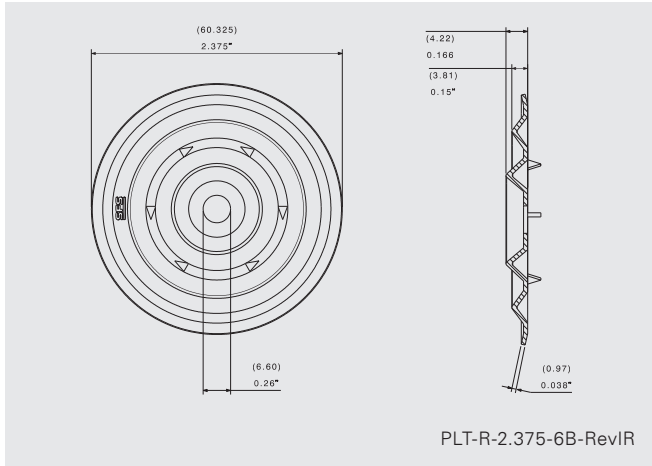
Membrane attachment to steel and wood roof decks

Features and Benefits

- Engineered barb design provides maximum wind uplift rating
- 20 ga. Galvalume® steel

Product Selection

Material No.	Item	Description	Carton Wt. (lbs.)	Carton Qty.
982326	2-3/8" Round Barbed Membrane Plate	PLT-R-2-3/8-6B-B	36	1,000



Specifications

OD: 2-3/8" (60 mm) Round
 Thickness: 0.038" (1 mm)
 Finish: AZ50 Galvalume®

Approvals



State of Florida: FL20311

22-0913.02

Installation and Application Considerations

Use in applications approved by the roofing system manufacturer. Use with:

- #14 Dekfast
- #15 Dekfast
- 1/4" Dekfast Spike
- TPR

US
 T 800 234 4533
 us.sfs.com

Canada
 T 866 847 5400
 ca.sfs.com

Metric values are approximate conversions.

All information is non-binding and without guarantee. Before using the products, all specifications and calculations must be checked by a suitably qualified person and local regulations must be observed. This document is subject to revision. We reserve the right to make technical changes. (04/2024, V1.02)