



# 3" Round Plastic Lock Stress Plate Dekflat PLT-P-R-3



### Application

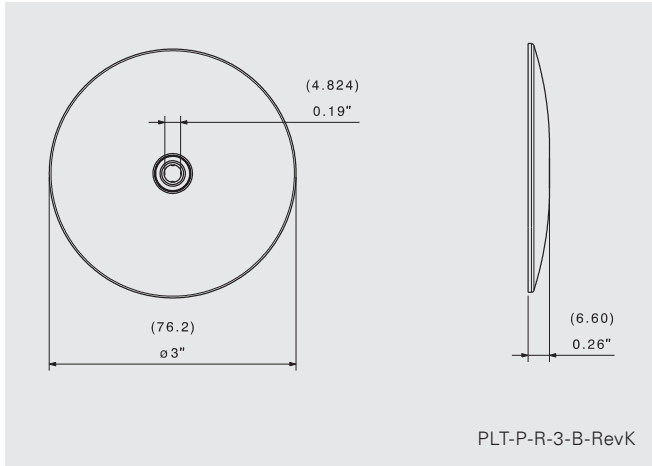
Insulation and cover board attachment to steel and wood roof decks

### Features and Benefits

- Flat bottom ideal for use on rigid board surfaces as well as standard insulation boards
- Polypropylene Impact Copolymer for ultimate strength

### Product Selection

Material No.	Item	Description	Carton Wt. (lbs.)	Carton Qty.
792622	3" Round Plastic Lock Plate	PLT-P-R-3-B	22	1,000



### Specifications

OD: 3" Round  
 Thickness: 0.26" (6.60 mm)  
 Material: Polypropylene  
 Color: White

### Approvals



State of Florida: FL20311

22-0913.02

### Installation and Application Considerations

Use in applications approved by the roofing system manufacturer. Use with:

- #12 Dekfast
- #14 Dekfast
- #15 Dekfast

US  
 T 800 234 4533  
 us.sfs.com

Canada  
 T 866 847 5400  
 ca.sfs.com

Metric values are approximate conversions.

All information is non-binding and without guarantee. Before using the products, all specifications and calculations must be checked by a suitably qualified person and local regulations must be observed. This document is subject to revision. We reserve the right to make technical changes. (04/2024, V1.02)