

# 3-1/2" isoweld® Cardboard Spacer FI-Pad



### Features and Benefits

- Works with foil-faced and fanfold EPS/XPS insulations
- Compatible with both PVC and TPO isoweld® plates
- Fast, simple installation

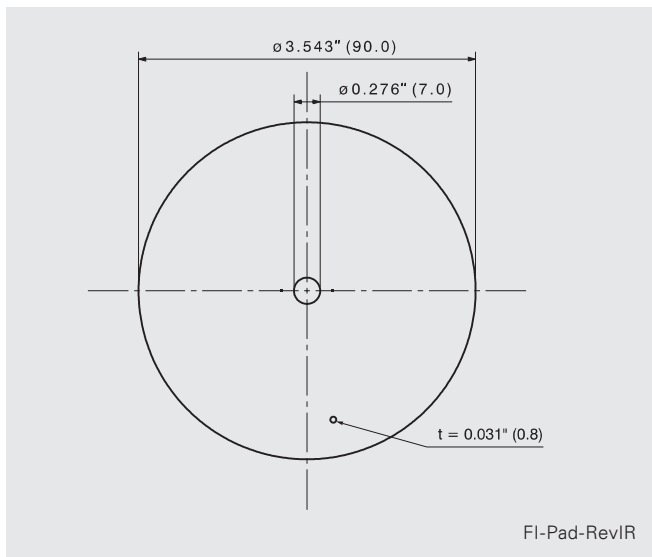
### Application

Used in combination with an isoweld® proprietary TPO or PVC plate when installing thermoplastic roof membrane over EPS or XPS insulation

Using the FI-Pad cardboard spacer between the isoweld® plate and the insulation thermally isolates the isoweld® plate, preventing the insulation from melting during the induction welding process

### Product Selection

Material No.	Item	Description	Carton Wt. (lbs.)	Carton Qty.
1706218	3-1/2" FI-Pad Cardboard Spacer	FI-Pad	7	1,000



### Specifications

OD:	3.543" (90mm) round disc
Thickness:	0.031" (0.8mm)
Material:	Treated cardboard
Color:	natural / tan

### Installation and Application Considerations

Use with:

- isoweld® TPO plate (155269)
- isoweld® PVC plate (155270)
- #15 Dekfast (DF-#15xL)
- TPR Peel Rivet (TPR-L-6,3xL)
- #12 Purlin (PUR-#12xL)