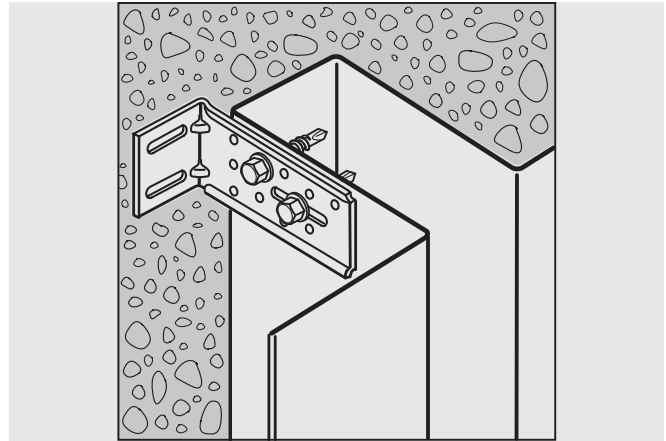


# #12-24 SD5 Bi-Met 300<sup>®</sup> Subframe Attachment



## Features and Benefits

- Bi-metal fastener design allows for higher drilling capacity while maintaining the corrosion resistance properties of stainless steel
- Silver VistaCoat<sup>®</sup> provides a barrier to help prevent galvanic corrosion when used with aluminum
- High ductility reduces delayed embrittlement failures
- Quickly drills and taps threads in metal up to 1/2" thick

## Application

- Heavy gauge metal connections
- Curtain wall and building envelope attachments
- Dissimilar metal connections

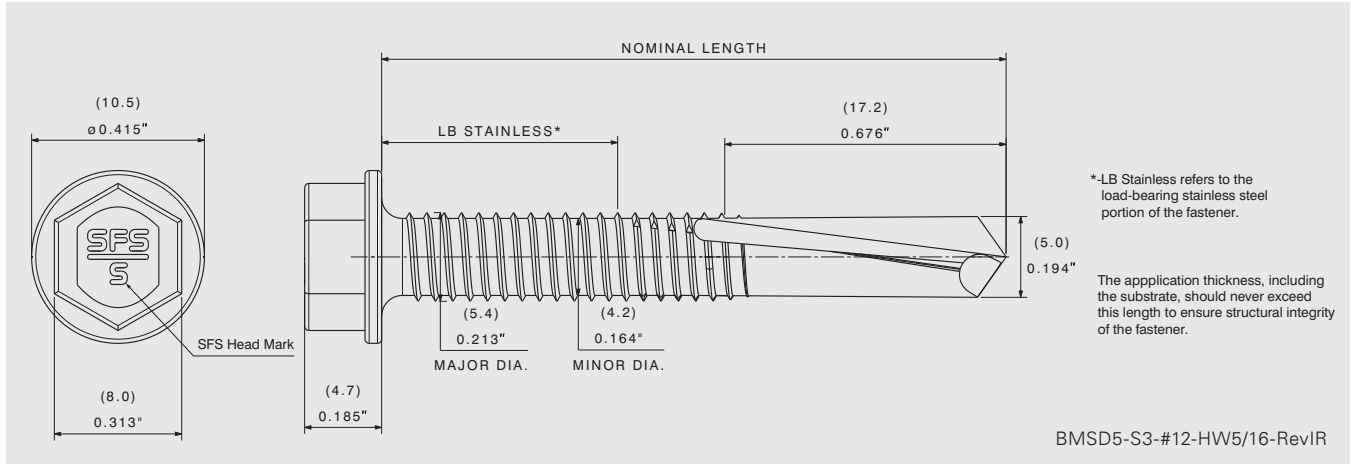
## Product Selection

Material No.	Fastener Length		Load Bearing Length		Description	Carton Wt. (lbs.)	Carton Qty.
	(in)	(mm)	(in)	(mm)			
1702010	1-1/2"	38	0.69"	17	BMSD5-S3-#12x1-1/2-HW5/16-F	39	2,500

Product bagged 250 pieces, unless otherwise noted.



# #12-24 SD5 Bi-Met 300<sup>®</sup> Subframe Attachment



## Product Specifications

Diameter: #12 (5.4 mm)  
Threads Per Inch: 24  
Head Style: HWH 5/16" (7.8 mm) AF  
Material: 304SS

Drill Point: SD5  
Drill Capacity: 0.500" (12.7 mm) Max steel  
Thread Major Dia: 0.212" (5.4 mm)  
Thread Minor Dia: 0.164" (4.2 mm)

## Performance Data<sup>1,2</sup>

### Material Strength

Tensile	3119 lbf / 13874 N
Shear	2155 lbf / 9586 N
Torsional*	80 lbf·in / 9 N·m

### Pull Out Strength Steel

<b>14 Ga (1.9 mm)</b>	733 lbf / 3260 N
<b>12 Ga (2.7 mm)</b>	1384 lbf / 6156 N
<b>3/16" (4.7 mm)</b>	2181 lbf / 8701 N
<b>1/4" (6.3 mm)</b>	2910 lbf / 12944 N

\* Torsional values for Stainless Steel section only.

<sup>1</sup> PLK 21016

<sup>2</sup> All values are ultimate, with no safety factor applied.

## Installation and Application Considerations

Install fasteners with 0–2000 RPM screw driver equipped with depth sensing nose piece.

**Use of impact guns or hammer drills is not recommended.**

US  
T 800 234 4533  
us.sfs.com

Canada  
T 866 847 5400  
ca.sfs.com

Metric values are approximate conversions.

All information is non-binding and without guarantee. Before using the products, all specifications and calculations must be checked by a suitably qualified person and local regulations must be observed. This document is subject to revision. We reserve the right to make technical changes. (11/2021, V1.01)