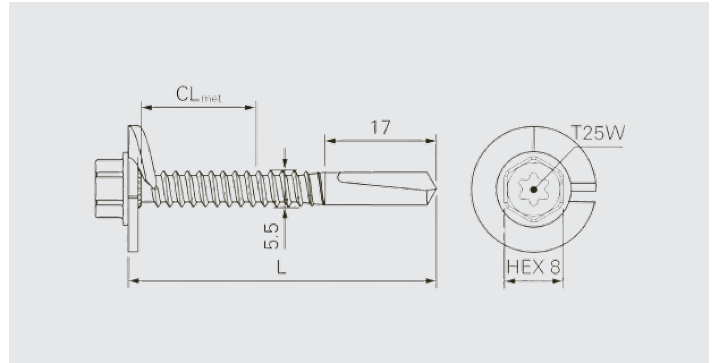
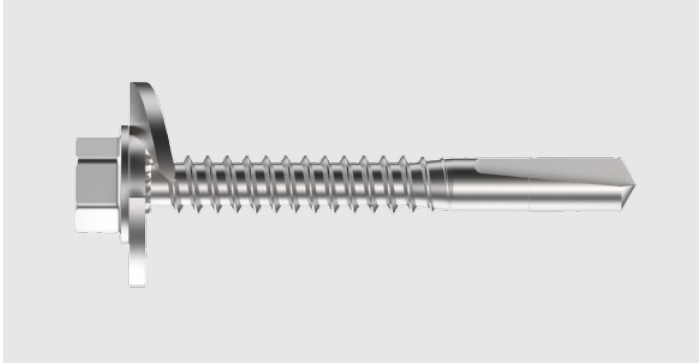


SXP14-HT-SC19-5,5



Application

Fastening of single ply insulated roof panels onto metal beams

Component 1 (t₁)

Single-ply panel

Component 2 (t_{II})

Steel 4.0-12.0

Max

13.50

Fastener material

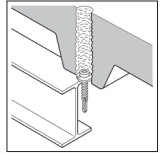
Austenitic stainless steel A2, case hardened drill point
Cutting disc: Austenitic stainless steel A2

Approvals



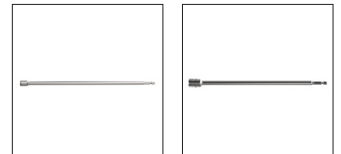
Features and Benefits

- Self-drilling fastener suitable for fixing single ply insulated roof panels into heavy gauge steel
- No pre-drilling of membrane and insulation required thanks to cutting-washer
- High performance drill point for heavy steel beams
- Self-coring fastener without disruption of the insulating material achieved by the cutting washer
- Flexibility given to the installer due to the dual drive, which provides both a hex and Torx drive option
- Secured against unwinding given by cut-off thread-end and free-spin zone



Fastener in A2 onto steel

Product code	PU	L	CL met	
SXP14-HT-SC19-5,5-A2	500	47	0-28	1686872



Accessories/Ancillaries

Product code	PU	Drive	Head Drive	Length	
Drive Bar HEX8-1/4"-300	1	1/4"	HEX8 Drive	300mm	1823798
T25W-175-HEX1/4"			T25 Drive	175mm	727979
T25HF-240-HEX1/4"				240mm	1223621