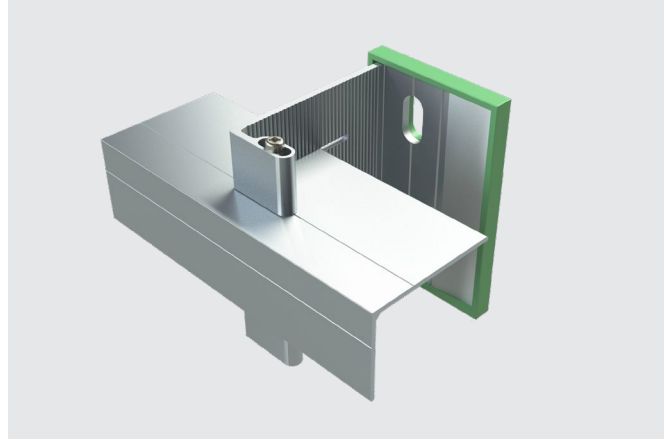
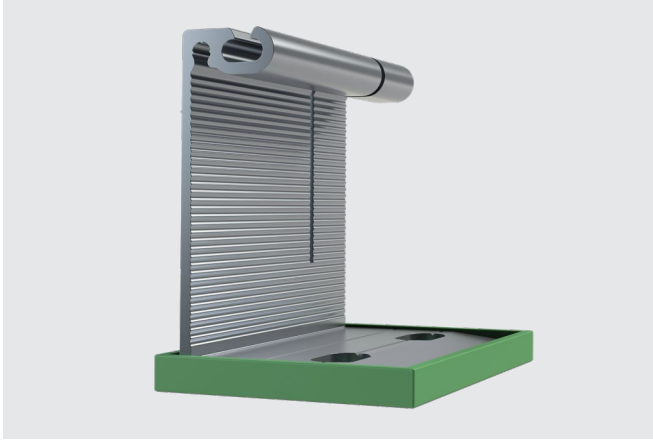


NVELOPE™

NH3 Bracket 11 mm Slots



Features and Benefits

- Bracket design allows for rail retainment without additional tools
- Up to 1-½" adjustment range eliminates the need for shims
- Corrosion resistant and 100% recyclable
- Fastener guide marks and integrated thermal isolator to aid in constructability
- Up to a quarter inch of thermal movement
- Engineered to meet thermal code requirements

Application

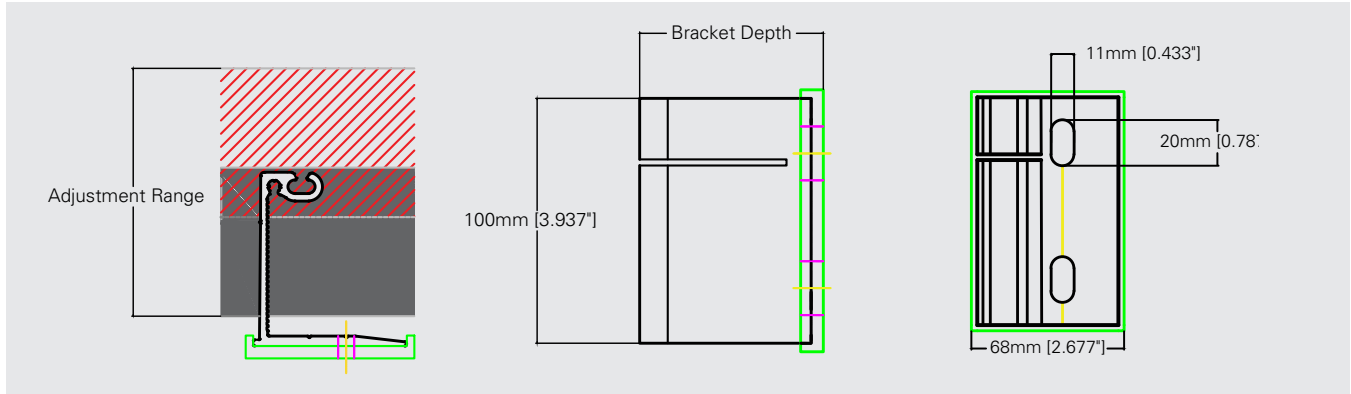
- Creates a cavity between the architectural cladding and the building for the inclusion of exterior insulation
- Installs directly onto a variety of substrates including steel, wood, concrete and CMU
- Brackets are a component of the NH3 thermally broken subframe system which is used to attach architectural cladding materials utilizing horizontally oriented extrusions

Product Selection

Material No.	Bracket Depth (mm)	Cavity Range				Product Code	Carton Wt. (lbs)	Carton Qty.
		Minimum		Maximum				
		(mm)	(in)	(mm)	(in)			
1602050	75	77	3.03"	117	4.61"	NV-HB75-6.5	20	50
1602053	90	92	3.62"	132	5.20"	NV-HB090-6.5	21	50
1602056	120	122	4.80"	162	6.37"	NV-HB120-6.5	24	50
1602058	150	152	5.98"	192	7.56"	NV-HB150-6.5	14	25
1602061	180	182	7.17"	222	8.74"	NV-HB180-6.5	17	25
1602063	210	212	8.35"	252	9.92"	NV-HB210-6.5	19	25
1602065	240	242	9.53"	282	11.10"	NV-HB240-6.5	22	25
1602067	270	272	10.71"	312	12.28"	NV-HB270-6.5	24	25
1602069	300	302	11.89"	342	13.47"	NV-HB300-6.5	21	20

NVELOPE™

NH3 Bracket 11 mm Slots



Product Specifications

Bracket Material: 6005A-T6 aluminum
 Isolator Material: Polypropylene
 Isolator Thickness: 5mm

Performance Data

Bracket Material Strength

Young's Modulus	10,100 ksi / 70 Gpa
Tensile Strength	38 ksi / 260 Mpa
Shear Strength	24 ksi / 165 Mpa
Tensile Yield	35 ksi / 240 Mpa

Material Thermal Transmittance

Bracket Conductivity:	1339 Btu-in/ft ² -hr-°F (193 W/m-K)
Isolator Conductivity:	0.81 Btu-in/ft ² -hr-°F (0.117 W/m-K)

Bracket Structural Values

Bracket Size	Vertical Load	Inward Horizontal Load	Outward Horizontal Load
75mm	1,398 lbf / 6.22 kN	4,842 lbf / 21.54 kN	410.95 lbf / 1.828 kN
90mm	1,360 lbf / 6.05 kN	3,767 lbf / 16.76 kN	410.95 lbf / 1.828 kN
120mm	1,119 lbf / 4.98 kN	3,199 lbf / 14.23 kN	410.95 lbf / 1.828 kN
150mm	1,029 lbf / 4.58 kN	2,427 lbf / 10.80 kN	410.95 lbf / 1.828 kN
180mm	606 lbf / 2.70 kN	2,416 lbf / 10.75 kN	410.95 lbf / 1.828 kN
210mm	555 lbf / 2.47 kN	2,760 lbf / 12.28 kN	410.95 lbf / 1.828 kN
240mm	436 lbf / 1.94 kN	2,924 lbf / 13.01 kN	410.95 lbf / 1.828 kN
270mm	382 lbf / 1.70 kN	2,825 lbf / 12.57 kN	410.95 lbf / 1.828 kN
300mm	242 lbf / 1.08 kN	1,112 lbf / 4.95 kN	410.95 lbf / 1.828 kN