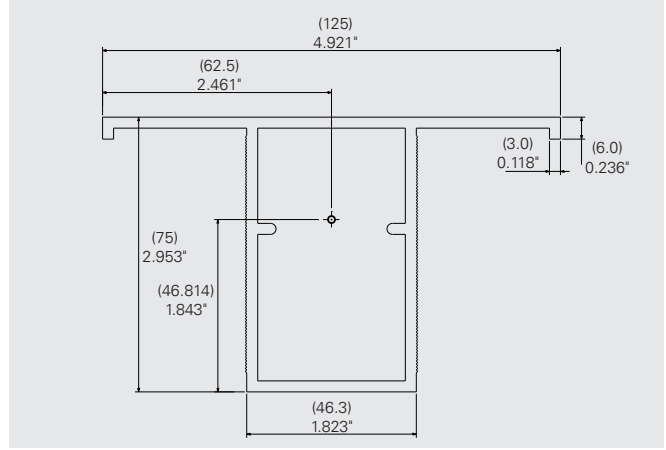




NVELOPE™ 3 mm Box T-rail



Product Selection

Material No.	Description	NAC Code	Material
1600072	Floor to floor box T-rail 3600 mm (141.73")	F2F-BRT-36000	6005A-T6 Aluminum

Performance Data

Rail Material Properties

Young's Modulus	10,100 ksi (70 GPa)
Tensile Strength	38 ksi (260 MPa)
Shear Strength	24 ksi (165 MPa)
Tensile Yield	35 ksi (240 MPa)
Thermal Conductivity	1,310 Btu-in/ft ² -hr-°F (183 W/m-k)

Rail Section Properties

I _x	1.857 in ⁴ (773,451 mm ⁴)
I _y	1.91 in ⁴ (796,209 mm ⁴)
R _x	1.096 in (27.845 mm)
R _y	1.112 in (28.25 mm)
A	1.544 in ² (997.52 mm ²)
S _x	1.673 in ³ (27,441 mm ³)
S _y	0.777 in ³ (12,739 mm ³)